

1

2

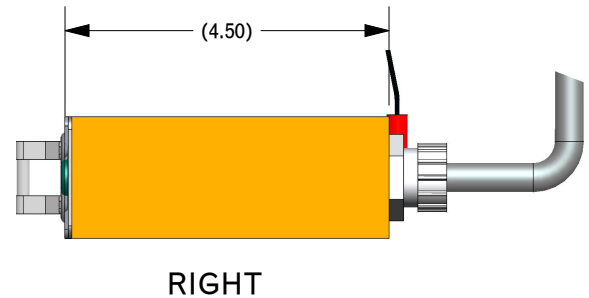
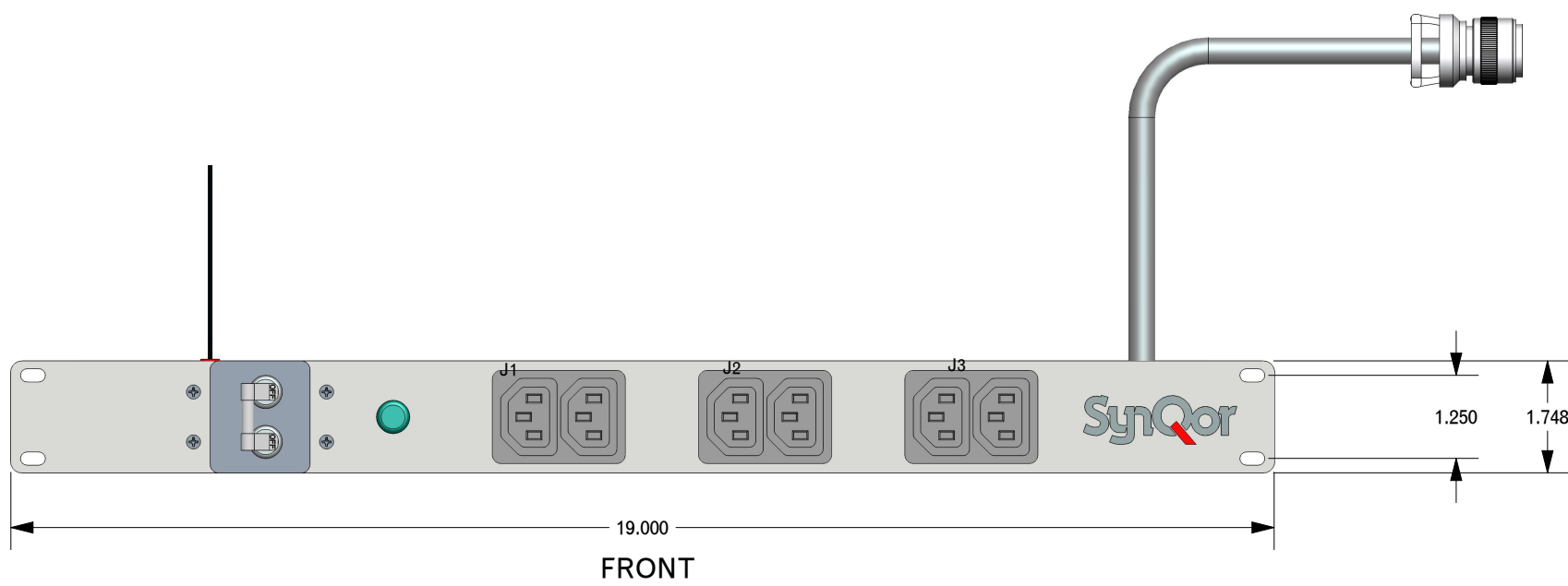
3

4

A

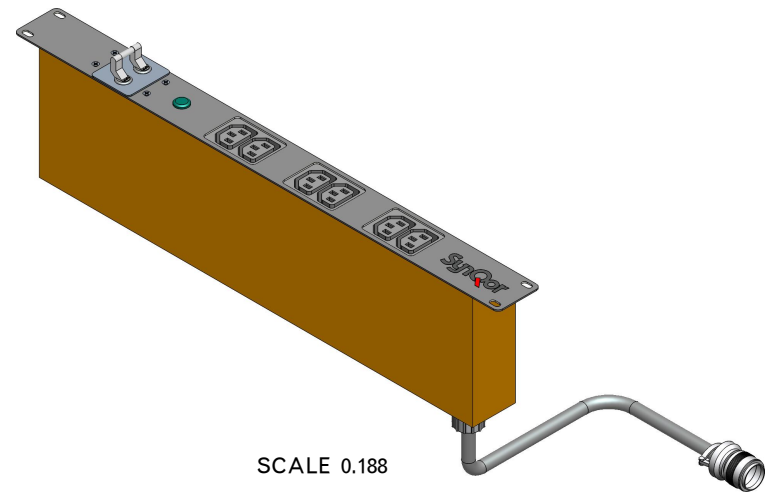
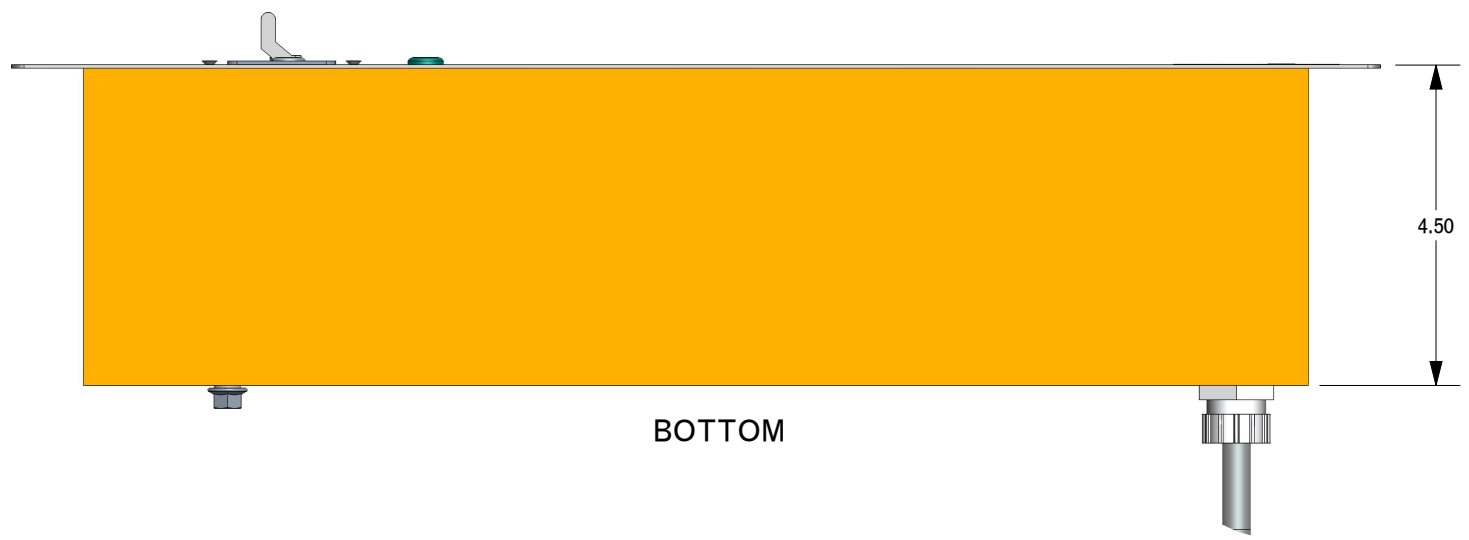
A

| REVISIONS | | | |
|-----------|---|----------|------------|
| REV | DESCRIPTION | DATE | APPROVED |
| A | INITIAL RELEASE PER ECO 16-21841 | 11-15-16 | K. BROWN |
| B | UPDATE CABLE POSITIONS PER ECO 20-26211 | 01-31-20 | K. DUBROWN |



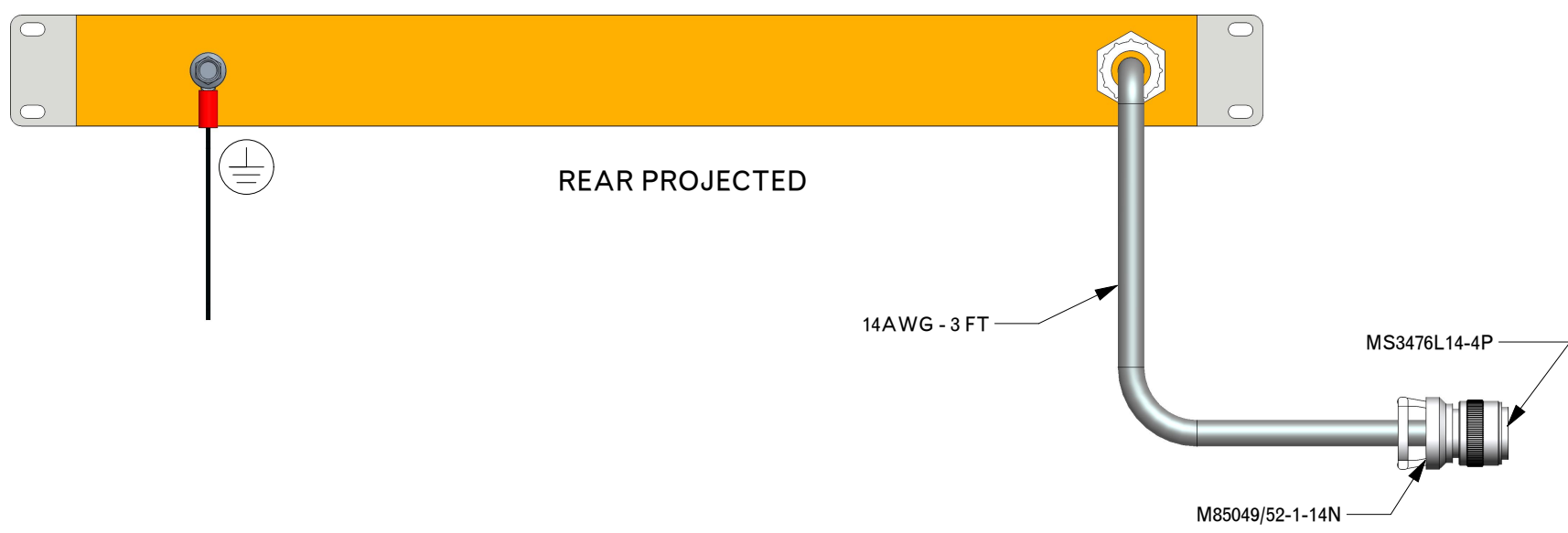
B

B



C

C



- NOTES:**
- 1) PLUG RECEPTACLE: IEC 320 C13, 10A 240V.
 - 2) CIRCUIT BREAKER: 10A, 2 POLE, SERIES TRIP, MEDIUM DELAY
 - 3) WEIGHT: 3.25lbs (1.47kgs)
 - 4) STANDARD HOLE LOCATIONS FOR 19" RACK MOUNT
 - 5) REFERENCE SYNQOR SPECIFICATION: 705-1000226

D

D

TOLERANCES:
 Unless otherwise specified:
 All dimensions in inches
 .X +/- .025
 .XX +/- .010
 .XXX +/- .005
 Angles +/- 1°

Third Angle Projection

THIS DRAWING IS THE PROPERTY OF SYNQOR LLC. It is not to be reproduced or copied, in whole or in part, or used for furnishing information to others, or for any purpose detrimental to the interests of SynQor. The information shown herein may be protected by patents owned or controlled by SynQor.

SynQor 155 Swanson Road
 Boxborough, MA 01719-1316

**UPS POWER STRIP WITH BREAKER,
 IEC C13 RECEPTACLE**

SOURCE: PRO/E SYN-9253

| | | | |
|------|-----------|----------|-----|
| SIZE | DATE | DWG. NO. | REV |
| B | JAN-31-20 | SYN-9253 | B |

SCALE: 0.400 DRAWN: KJD CHECK: SHEET 1 of 1

1

2

3

4